

Paper Machine Dynamic Dryer Simulator



Your technical resource for improving Pulp and Paper process control performance

Use the Simulator to:

Train operators

- Improve process knowledge
- Develop troubleshooting skills

Train control personnel

- Understand control strategies
- Develop control loop tuning

Troubleshoot control problems

- Inject 'what if' disturbances
- Inject process non-linearities

Evaluate design options

- TC and steam valves
- Control strategy options
- Identify process bottlenecks

Simulator Pricing

From CDN per license \$3000.00
 USD per license \$2600.00

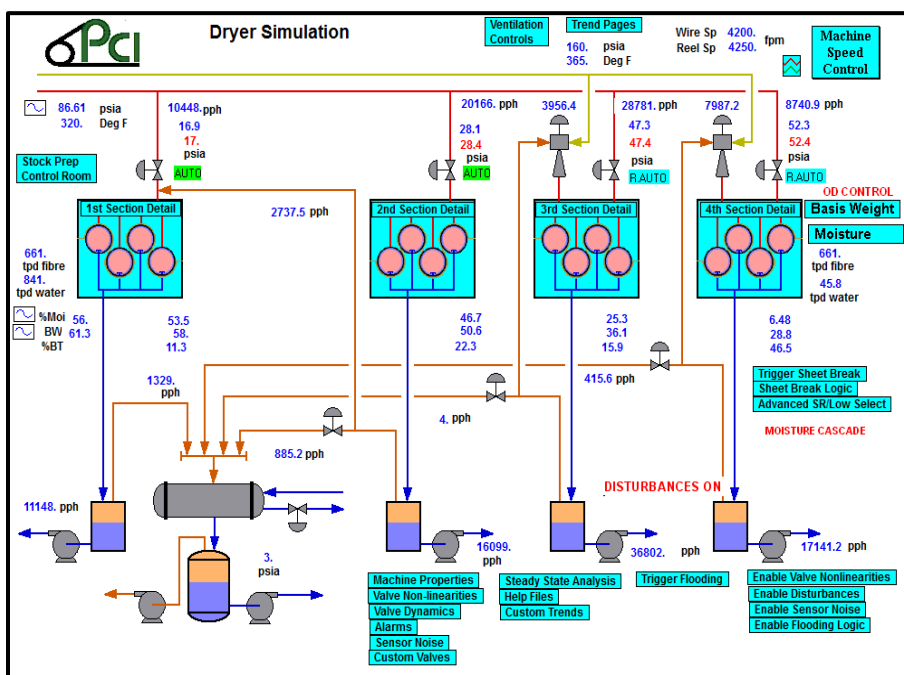
(Canadian Taxes Included.)
 Fees include a copy of VisSim Viewer, a dryer simulator handbook, and a USB protection plug.

About ProNamics

ProNamics Control Inc. is based in Vancouver, BC. The company conducts process and control optimization surveys, prepares process simulations to establish best practices and provides a range of training courses related to process control optimization. Visit our web sites at www.pronamicscontrol.com for more information about our services.

Applications

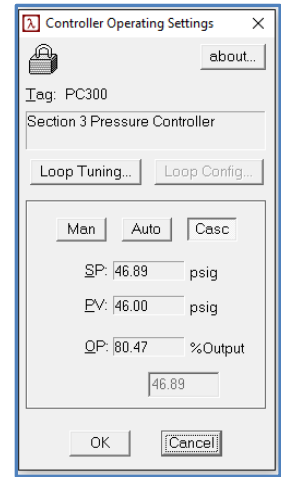
- Compare process and control strategy design options
- Develop optimum tuning for complex dryer loops
- Compare rotary versus stationary syphons
- Evaluate sheet break and flooding detection logic
- Improve troubleshooting skills
- Evaluate Valve and Thermo-compressor options



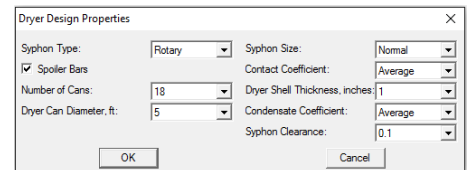
Dryer Simulator Features

- DCS-like graphical interface
- Extensive trending and data export capability to improve understanding of complex and interactive dryer dynamics
- Built-in help displays
- Configurable process equipment
 - Sizing of primary process equipment
 - Control Valves, Thermo-compressors,
- Selectable control strategies
 - Blow-through versus Differential
 - Moisture advanced control
 - Configurable sheet break logic
- Adjustable controller tuning, filtering, controller configuration
- Disturbance injection capabilities to build troubleshooting skills and conduct sensitivity analysis
- TC and Control Valve non-linearities

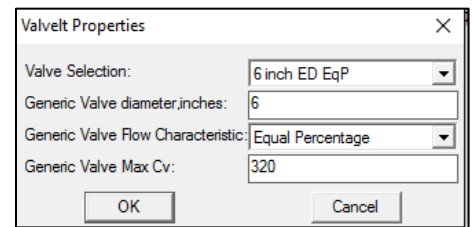
Controller Operator Station



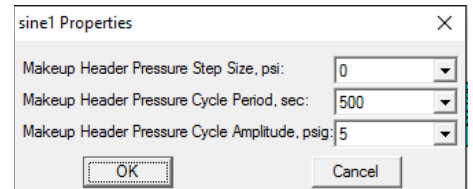
Dryer Section Configuration



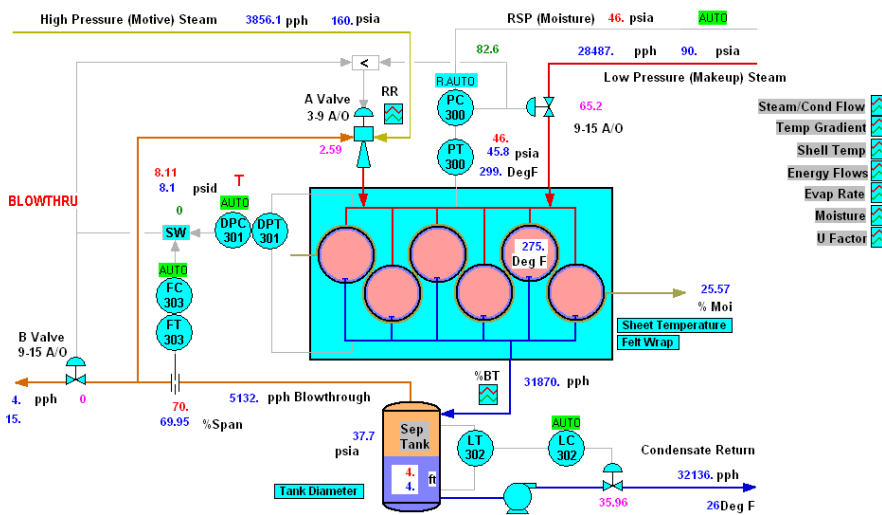
Valve Selection



Disturbance Injection



3rd Dryer Section



Trend Plots

